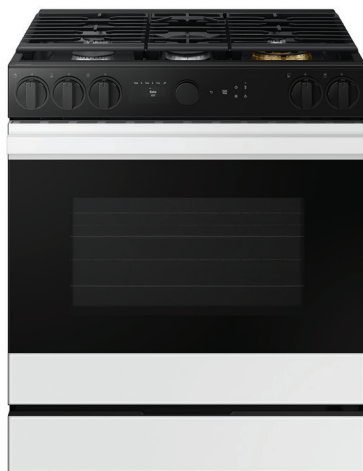


NSG6D*8700

SAMSUNG

Bespoke Smart Slide-In Gas Range 6.0 cu. ft. with
Smart Oven Camera & Illuminated Precision Knobs



Available Colors



Stainless Steel
NSG6DG8700SR



White Glass
NSG6DB870012

Features

- Smart Oven Camera
- Illuminated Safety Knobs
- Air Sous Vide
- Air Fry, Tray Included
- Convection Vegetable
- Convection+
- 2.25" LCD
- Reversible Cast Iron Griddle
- Edge-to-Edge Grates
- Self Clean
- Temperature Probe
- Wok Ring
- Storage Drawer

Convenience

- Wi-Fi Connectivity
- Voice-Enabled
- Convection Auto Conversion
- Self Clean
- Hidden Bake Element
- Child Safety Lock
- Delay Start
- Auto Oven Light
- Kitchen Timer
- Sabbath Mode

Specifications

Black Enamel 5-Burner Cooktop

- Right Front: 23K BTU Dual Ring Brass
- Left Front: 16K BTU
- Right Rear: 5K BTU
- Left Rear: 9.5K BTU
- Center (Oval): 10K BTU

Oven

- Capacity: 6.0 cu. ft.
- Convection Element/Heater
- Convection Bake
- Convection Roast
- Convection Vegetable
- Bake
- Variable Broil: Low/High
- Air Fry
- Air Sous Vide
- Keep Warm
- Bread Proof
- Dehydrate

Downloadable Oven Modes

- Turkey
- Spare Rib
- Pizza & Naan
- Seafood
- Brownie

Dimensions

Oven Interior Dimensions (WxHxD)

Dimensions: 24¹³/₁₆" x 21⁵/₈" x 19⁵/₈"

Product Dimensions (WxHxD)

Dimensions: 29¹⁵/₁₆" x 36¹/₄" - 37" (Adj.) x 27⁷/₈"
Weight: 207.0 lbs

Shipping Dimensions & Weight (WxHxD)

Dimensions: 33¹/₁₆" x 41¹/₈" x 30⁵/₁₆"
Weight: 229.1 lbs

Warranty

One (1) Year Parts and Labor

UPC

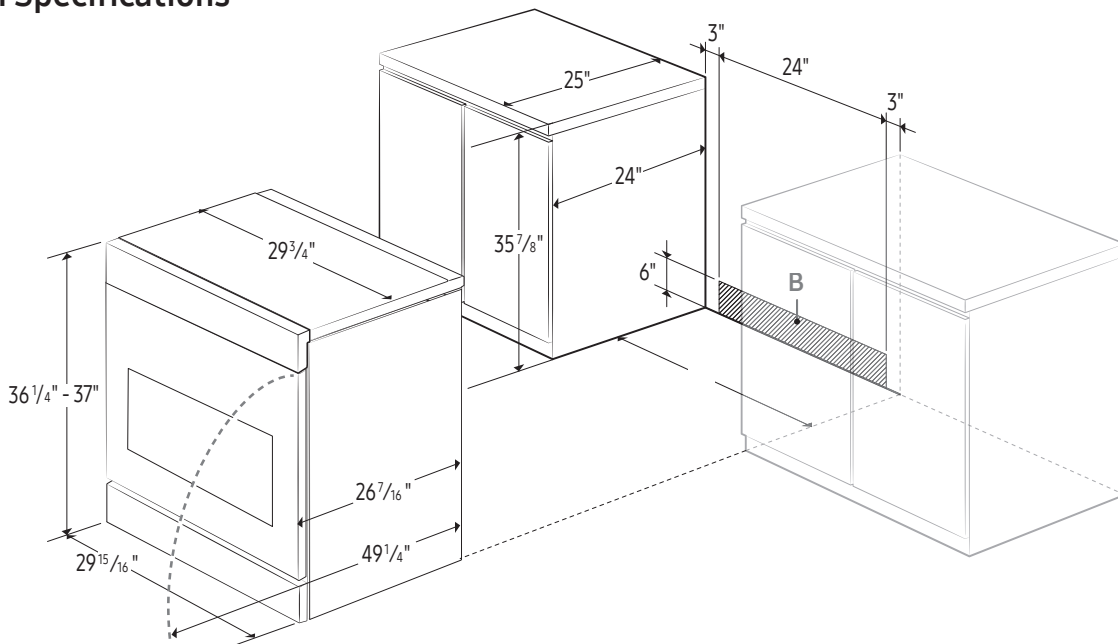
| Finish | Model # | UPC Code |
|-----------------|--------------|--------------|
| Stainless Steel | NSG6DG8700SR | 887276817422 |
| White Glass | NSG6DB870012 | 887276817354 |

NSG6D*8700

SAMSUNG

Bespoke Smart Slide-In Gas Range 6.0 cu. ft. with Smart Oven Camera & Illuminated Precision Knobs

Installation Specifications



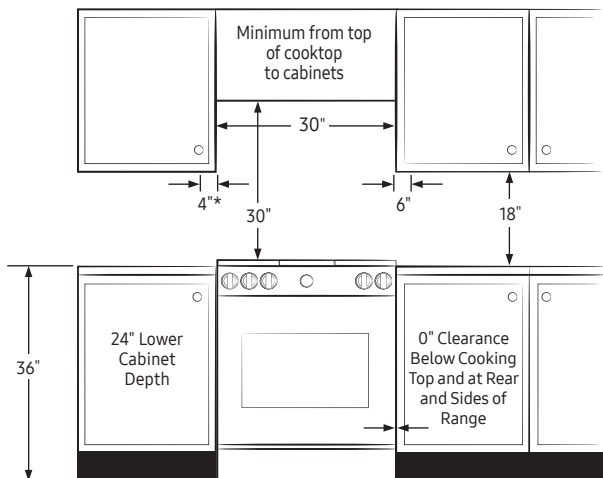
Electrical Requirements

120V/60 Hz
20 Amps

A: Cabinet opening minimum 30"
B: Acceptable electrical outlet area

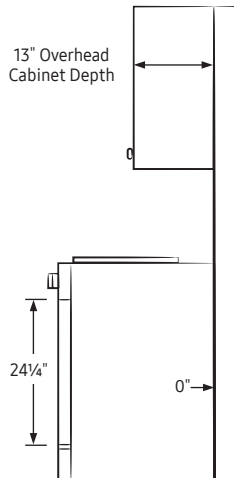
IMPORTANT: If your cabinets are over 37" high, you must install this range on a hard, heat resistant support that raises the surface of the range so that it is about even with the countertop.

Installing Your Range



*Side clearance above cooking surface to any objects, i.e., wall.

IMPORTANT: Consult with Installation Manual for detailed instructions before installing.
All ranges must be installed with the Anti-Tip device that is included.



Recommended Locations for Gas Piping and Electrical Outlets

