

NV51C*700D

SAMSUNG

Bespoke 30" Double Wall Oven



Available Colors

-  **Stainless Steel**
NV51CG700DSR
-  **Matte Black**
NV51CG700DMT
-  **White Glass**
NV51CB700D12

Design

- Push to Open
- Full Glass Door
- Drop-Down Door Design
- Modern Design

Features

- AI Pro Cooking™ Camera:
 - Monitor food
 - Recognize ingredients
 - Record time lapse videos
- Flex Duo™
- AI Home
- Air Sous Vide
- Air Fry, Tray Included
- Steam Cook Plus
- Convection Vegetable
- Steam Cook
- 7-Inch LCD Display
- Digital Touch Controls
- Wi-Fi Connectivity
- Dual Convection
- Guided Cook
- Steam Clean & Self-Clean
- LED Lights
- 2 Heavy-Duty Racks
- Gliding Rack
- Broil Element
- 6 Rack Positions

Convenience

- Sabbath Mode
- Delay Start
- Child Safety Lock
- Warming Mode
- Kitchen Timer

Specifications

- Total Capacity: 5.1 cu. ft.**
- Hidden Bake Element
 - Convection Bake: 175°F–550°F
 - Convection Roast: 175°F–550°F
 - Convection Vegetables: 350°F–450°F
 - Steam Cook Plus: 230°F–550°F
 - Steam Roast: 230°F–550°F
 - Steam Cook: 230°F–550°F
 - Bake: 175°F–550°F
 - Broil: Low-High
 - Air Sous Vide: 100°F–205°F
 - Air Fry: 350°F–500°F
 - Steam Proof
 - Dehydrate

Dimensions

Product Dimensions & Weight (WxHxD)

Outside (Max) Wall Oven Dimensions:

29³/₄" x 51¹/₂" x 24³/₈"

Wall Oven Cut-Out Dimensions:

28¹/₂" x 50¹/₄" x 23¹/₂"

Weight: 302 lbs

Shipping Dimensions & Weight (WxHxD)

Dimensions: 33¹¹/₁₆" x 56³/₈" x 29¹³/₁₆"

Weight: 330.7 lbs

Warranty

One (1) Year All Parts and Labor

UPC

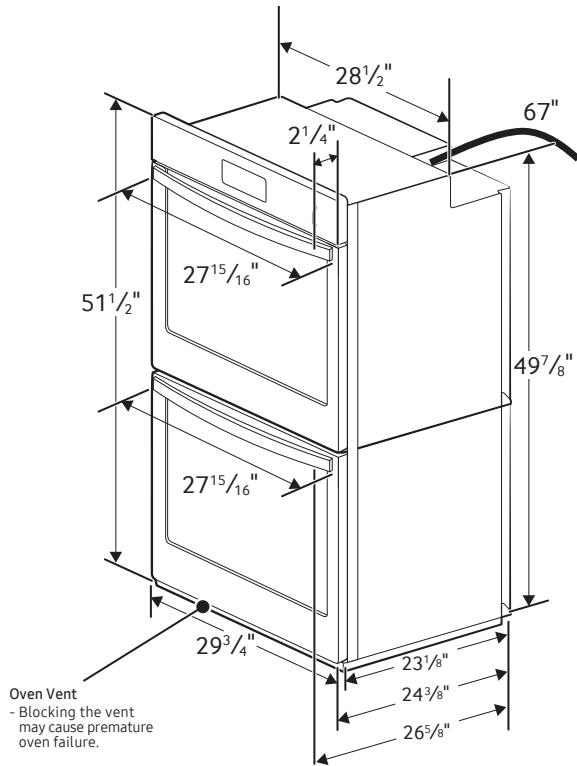
Double Wall Oven	Model #	UPC Code
Stainless Steel	NV51CG700DSR	887276757704
Matte Black	NV51CG700DMT	887276757698
White Glass	NV51CB700D12	887276757636

NV51C*700D

SAMSUNG

30" Double Wall Oven

Product Dimensions



Electrical Requirements

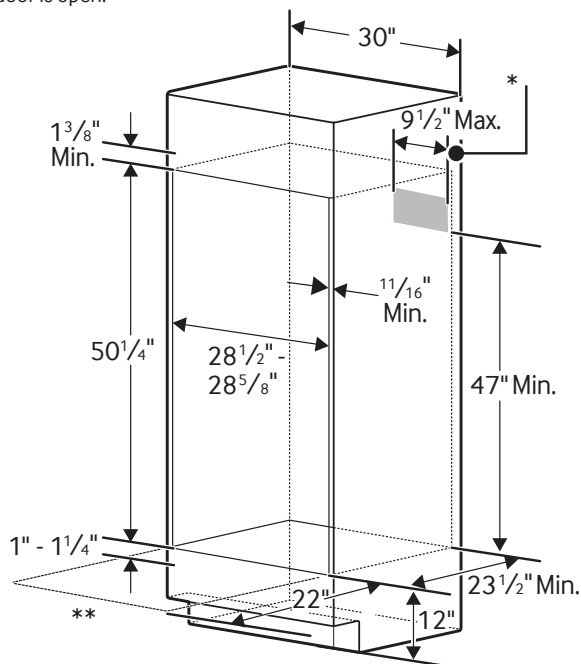
KW RATING	
240V	10.6 kW
208V	8.0 kW
BREAKER SIZE	
240V	50 Amps
208V	40 Amps

Cabinet Dimensions

Double Oven Installed in Cabinet

*Junction Box.

**Allow a minimum of 22" for clearance to adjacent corners, drawers, walls, etc. when door is open.



Actual color may vary. Design, specifications, and color availability are subject to change without notice. Non-metric weights and measurements are approximate.

©2025 Samsung Electronics America, Inc. 85 Challenger Road, Ridgefield Park, NJ 07660. Tel: 800-SAMSUNG. samsung.com. Samsung is a registered trademark of Samsung Electronics Co. Ltd.